

SHARE BENCH



Description

Our **SHARE BENCHES**, designed with the same organically curved profile and finger-friendly edges as our REACH tables, are the perfect compliment to your Natural Pod learning environment. Available in a variety of heights and lengths, the SHARE Bench can easily integrate with existing furniture and accommodate learners of all ages.

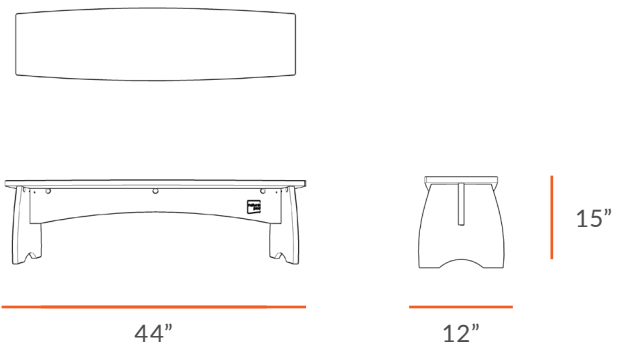
More than just a place to sit, benches offer flexibility to a space. Durable to withstand everyday use, yet light enough for educators and children to move them about the space, benches can be used as a shelf, book stand, balance beam, or flip them on their side to create a new play space. What creative uses can you come up with?

Product features

- Foot glides
- 31" available Heights: 8", 10", 12", 14", 15", 16"
- 44" available Heights: 8", 10", 12", 14", 15", 16"
- 48" available Heights: 18"
- 56" available Heights: 10", 12", 14", 15", 16"
- 72" available Heights: 8", 10", 12", 14", 15", 16"

Views

Refer to Technical Sheet for more details.



Materials

- Europly FSC Certified hardwood plywood (FSC R 012337)

natural pod™

TECHNICAL DRAWING

SHARE BENCH

LENGTH	44"
DEPTH	12"
HEIGHT	15"

Dimensions indicated are approximate. Please contact us if you require clarification.

